

Product data sheet

Characteristics

2510KG1A

Switch, manual, 30A, 2 pole, 3 HP at 575 VAC, single phase, toggle operated, red 115 VAC indicator, NEMA 1 enclosure



Product availability: Stock - Normally stocked in distribution facility

Price*: 145.04 USD



Main

Product or component type	Single Unit Manual Switch
Range of product	K

Complementary

Line Rated Current	30 A
Cable entry	0.5" and 0.75" knock-outs (top and bottom)
Maximum Horse Power Rating	2 Hp 115 V AC 2 Hp 230 V AC 3 Hp 460 V AC 3 Hp 575 V AC 1 Hp 90 V DC 2 Hp 115 V DC 1.5 Hp 230 V DC
[Ue] rated operational voltage	600 V AC 230 V DC
Poles description	2P
Control type	Toggle
Phase	1 phase
Local signalling	Red indicator, 115 V
Motor starter type	Non reversing
Electrical connection	Screw clamp terminals
AWG gauge	AWG 14...AWG 10 copper
Height	4.25 In (107.95 mm)
Width	2.44 In (61.98 mm)
Depth	2.75 In (69.85 mm)

Environment

Product certifications	UL listed file E42243 CCN NLRV CSA LR25490 class 3211 05
NEMA degree of protection	NEMA 1 Plastic standard size

Ordering and shipping details

Category	21102 - 2510,2511,2512 K
Discount Schedule	CP1
GTIN	00785901554486
Nbr. of units in pkg.	1
Package weight(Lbs)	13.60 Oz (385.6 g)
Returnability	Yes
Country of origin	MX

Packing Units

Unit Type of Package 1	PCE
Package 1 Height	2.52 In (6.4 cm)
Package 1 width	3.11 In (7.9 cm)
Package 1 Length	4.88 In (12.4 cm)

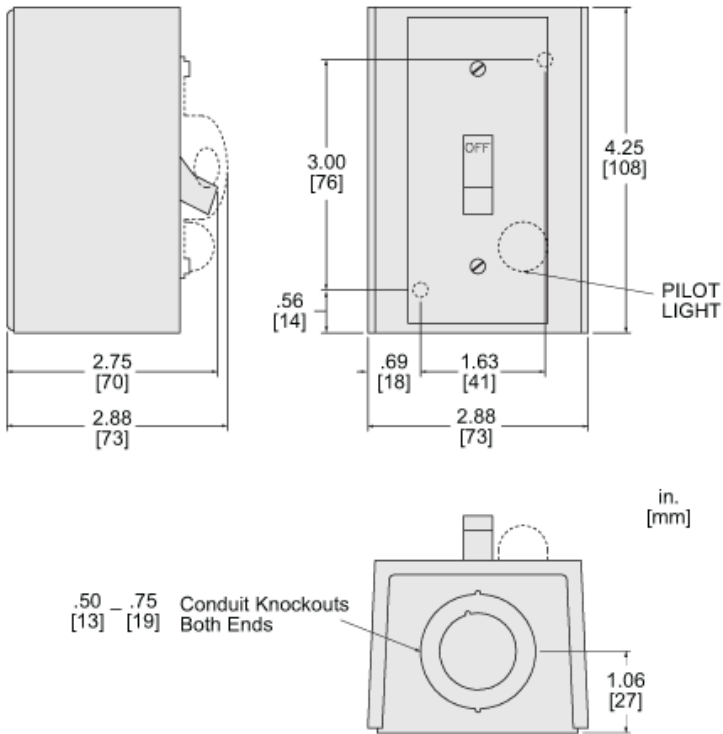
Offer Sustainability

California proposition 65	WARNING: This product can expose you to chemicals including: Lead and lead compounds, which is known to the State of California to cause cancer and birth defects or other reproductive harm. For more information go to www.P65Warnings.ca.gov
REACH Regulation	REACH Declaration
REACH free of SVHC	Yes
EU RoHS Directive	Not compliant
China RoHS Regulation	China RoHS Declaration
PVC free	Yes

Contractual warranty

Warranty	18 months
----------	-----------

Approximate Dimensions



Product Life Status : **Commercialised**